

LAMINATION SCHEDULE

TOP AND SIDES

- 25 MILS GELCOAT
- 3 OZ. CHOP SKIN
- 3 OZ. CHOP BULK
- ONE LAYER OF 3610 BI-AXIAL MATERIAL ON FLANGE SURFACE
- 1 1/2" X 3" POLYURETHANE FOAM STRINGERS ON TOP AND SIDES 15" CENTERS ON AVERAGE COVERED WITH ONE LAYER OF 3610 BI-AXIAL MATERIAL AND ONE LAYER OF 3 OZ. MAT.
- 25 MILS GELCOAT

FLOOR

- 25 MILS GELCOAT
- 3 OZ. CHOP SKIN
- 3/4" POLYURETHANE 6-LB. DENSITY FOAM CORE ON BOTTOM
- 3 OZ. CHOP BULK
- 25 MILS GELCOAT

DOOR

- 25 MILS GELCOAT
- 3 OZ. CHOP SKIN WITH ONE LAYER OF 3610 BI-AXIAL ON THE VERTICAL SURFACE AND ONE LATER ON THE OUTER VERTICAL SURFACE
- 3 OZ. CHOP BULK
- ONE LAYER OF 3610 BI-AXIAL MATERIAL ON HORIZONTAL SURFACE
- 1/2" AIREX T-92 THERMOPLASTIC RIGID FOAM CORE
- 1 1/2 OZ. CHOP
- ONE LAYER OF 3610 BI-AXIAL MATERIAL ON HORIZONTAL SURFACE
- 4 OZ. CHOP
- 25 MILS GELCOAT

COLLAR

- 25 MILS GELCOAT
- 3 OZ. SKIN
- 3 OZ. BULK
- TWO LAYERS OF 3610 BI-AXIAL MATERIAL
- 1 1/2 OZ. CHOP

NOTES:

DOOR

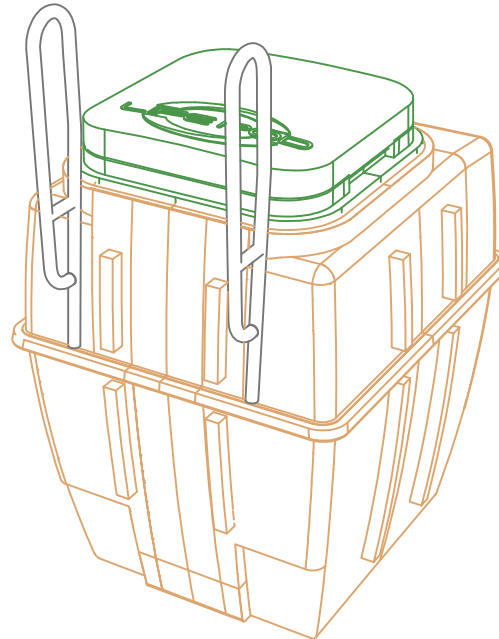
- (3) POINT LATCHING SYSTEM
- (2) STAINLESS STEEL HINGES REMOVABLE WITH 7/16" WRENCH TO ALLOW EMERGENCY PERSONNEL TO OPEN FROM THE OUTSIDE
- OPENING 26 1/2" WIDE BY 26 3/4" LONG

LADDER

- CLEAR RUNG LENGTH 16 5/16"
- RUNGS CENTER TO CENTER 10 7/8"
- RUNG DIAMETER 1 1/16"
- NON-SKID APPLIED TO TOP OF RUNGS

GENERAL

- NON-SKID FLOOR AREA
- (6) VENTS WITH AN OPEN AREA OF 18.24² IN. TOTAL (3.04² IN. EACH)



General Notes

This drawing was created by Dougherty Manufacturing. Ownership, Authorship and Copyright rights are owned by Dougherty Manufacturing. This drawing cannot be reproduced in whole or in part without the written consent of Dougherty Manufacturing.

Dougherty Manufacturing
 1601 Tionia Rd.
 New Smyrna Bch, FL 32168
 TEL: 386.957.5464
 FAX: 386.957.5465

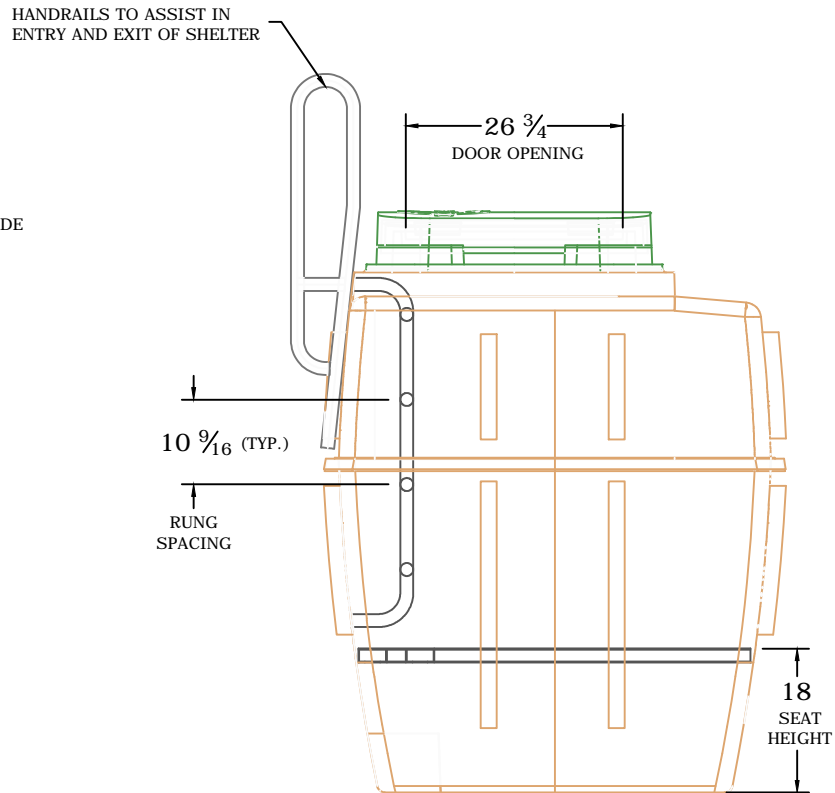
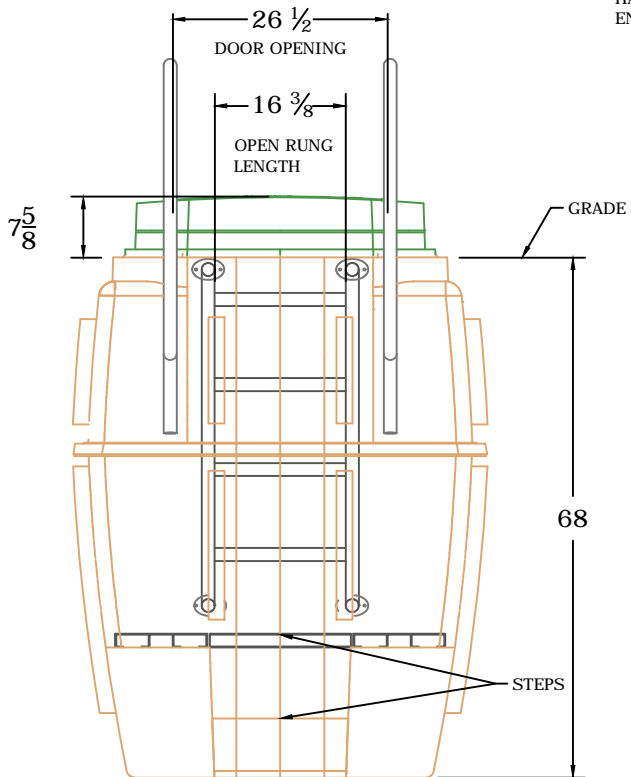
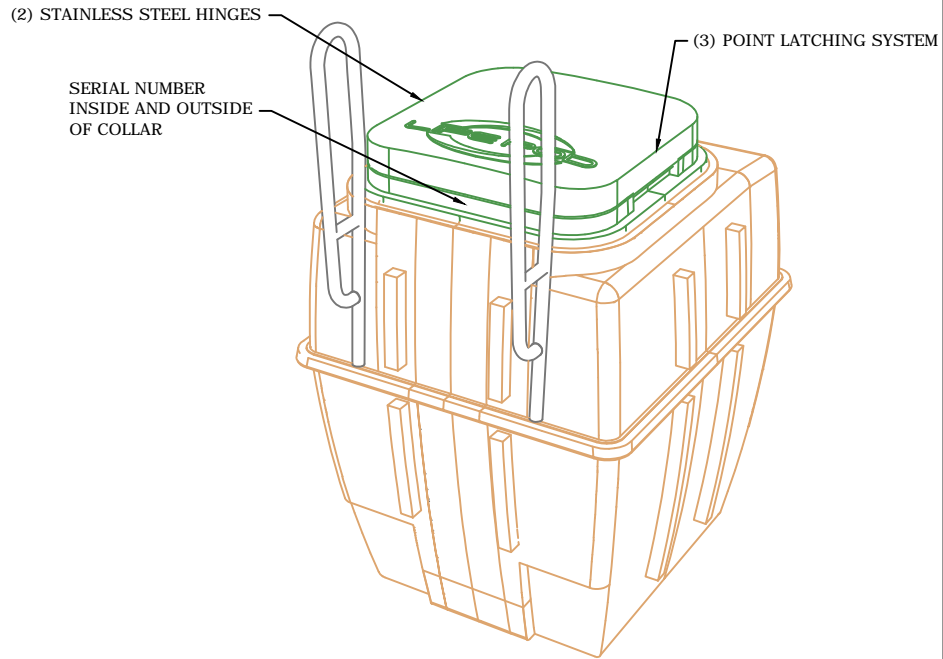
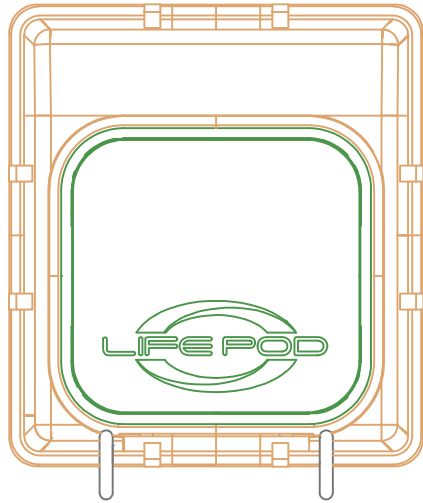
Drawn By T.E.Z.

No.	Revision/Issue	Date

Firm Name and Address
DOUGHERTY MANUFACTURING

Project Name and Address
4 PERSON STORM SHELTER

Project	Sheet
Date 7-1-14	1
Scale N.T.S.	



General Notes

This drawing was created by Dougherty Manufacturing. Ownership, Authorship and Copyright rights are owned by Dougherty Manufacturing. This drawing cannot be reproduced in whole or in part without the written consent of Dougherty Manufacturing.

Dougherty Manufacturing

1601 Tionia Rd.
New Smyrna Bch, FL 32168
TEL: 386.957.5464
FAX: 386.957.5465

Drawn By T.E.Z.

No.	Revision/Issue	Date

Firm Name and Address
DOUGHERTY MANUFACTURING

Project Name and Address
4 PERSON STORM SHELTER

Project	Sheet
Date 7-1-14	2
Scale N.T.S.	